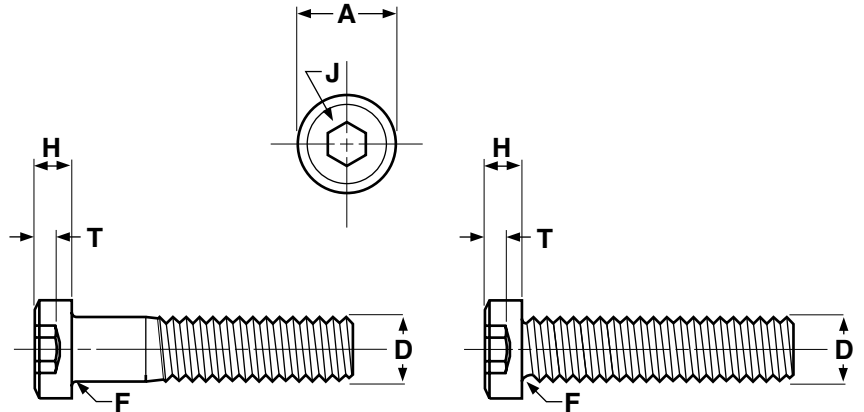




Socket Products

Low Head Socket
Cap Screws



Nominal Size	D Basic Screw Diameter	A Head Diameter		H Head Height		J Hex Socket Size	T Key Engagement		F Fillet		Tensile Strength Pounds Min.		Tightening Torque Inch Pounds
		Max	Min	Max	Min		Min	Max	Min	UNRC	UNRF		
	8	0.1640	.270	.265	.082	.079	.0781	.060	.012	.007	2,310	2,440	
10	0.1900	.312	.307	.095	.092	.0938	.072	.014	.009	2,890	3,300	33.5	
1/4	0.2500	.375	.369	.125	.121	.1250	.094	.014	.009	5,250	6,000	77.9	
5/16	0.3125	.437	.431	.156	.152	.1562	.120	.017	.012	8,650	9,550	156.0	
3/8	0.3750	.562	.556	.187	.182	.1875	.145	.020	.015	12,800	14,450	273.0	
1/2	0.5000	.750	.743	.250	.244	.2500	.184	.026	.020	23,400	26,350	615.0	

Tolerance on Length	Nominal Screw Size	Nominal Screw Length	
		Up to 1 in., Incl.	Over 1 in. to 2-1/2 in., Incl.
	0 thru 3/8	-0.03	-0.04
	1/2	-0.03	-0.06

Blue Devil®

The value-added source for quality bolts, screws, nuts, washers and other industrial fasteners.

3211 West 9th Street, Trainer, PA 19061-5242 TOLL FREE: 1-800-662-7459 LOCAL: 610-485-5700 FAX: 610-485-5877

E-MAIL: sales@coburnmyers.com